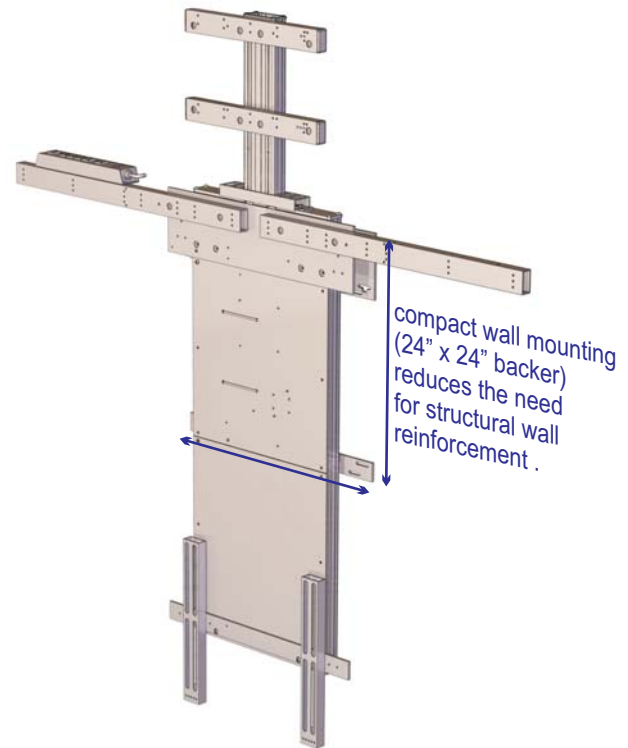


WMHS-WB



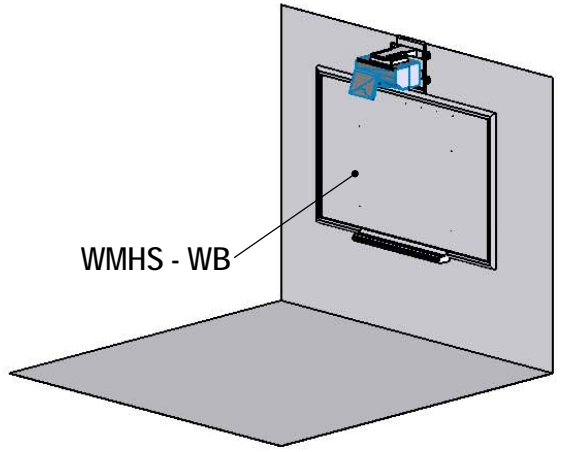
Wall Mount Hybrid Shuttle - WB

<u>ProLIFT WMHS-WB Packaging</u>				
	<u>Box weight (lbs)</u>	<u>Box Dimensions (inches)</u>		
		L	W	H
ProLIFT WMHS-WB	50	48	24	4
WMHS-WB - Quick facts				
18" Electric height adjustment				
heights do not include projectors / mounts				
these items may increase the overall height				
Maximum lift capacity is 180 lbs (incl. WhiteBoard and Projector)				
Up/Down Switch may be mounted left or right sided				
Fits most whiteboard and projection systems				
Ships mostly assembled for quick on-site assembly				
Simple change over from whiteboard/projection system to an LCD				
just add adapter kit				
up to 180 lbs LCD screens				
Electrical Specifications				
6 outlet power bar - rated at 12 amps max.				
Supply Voltage into lift mechanism is 120V AC / 60 Hz				
Maximum current draw of lift mechanism at full load is 3 amps				
Duty cycle is 10% (2 minutes on - 18 minutes off)				
Standby power < 0.6w				

Designed for new or retrofit applications

PROLIFT

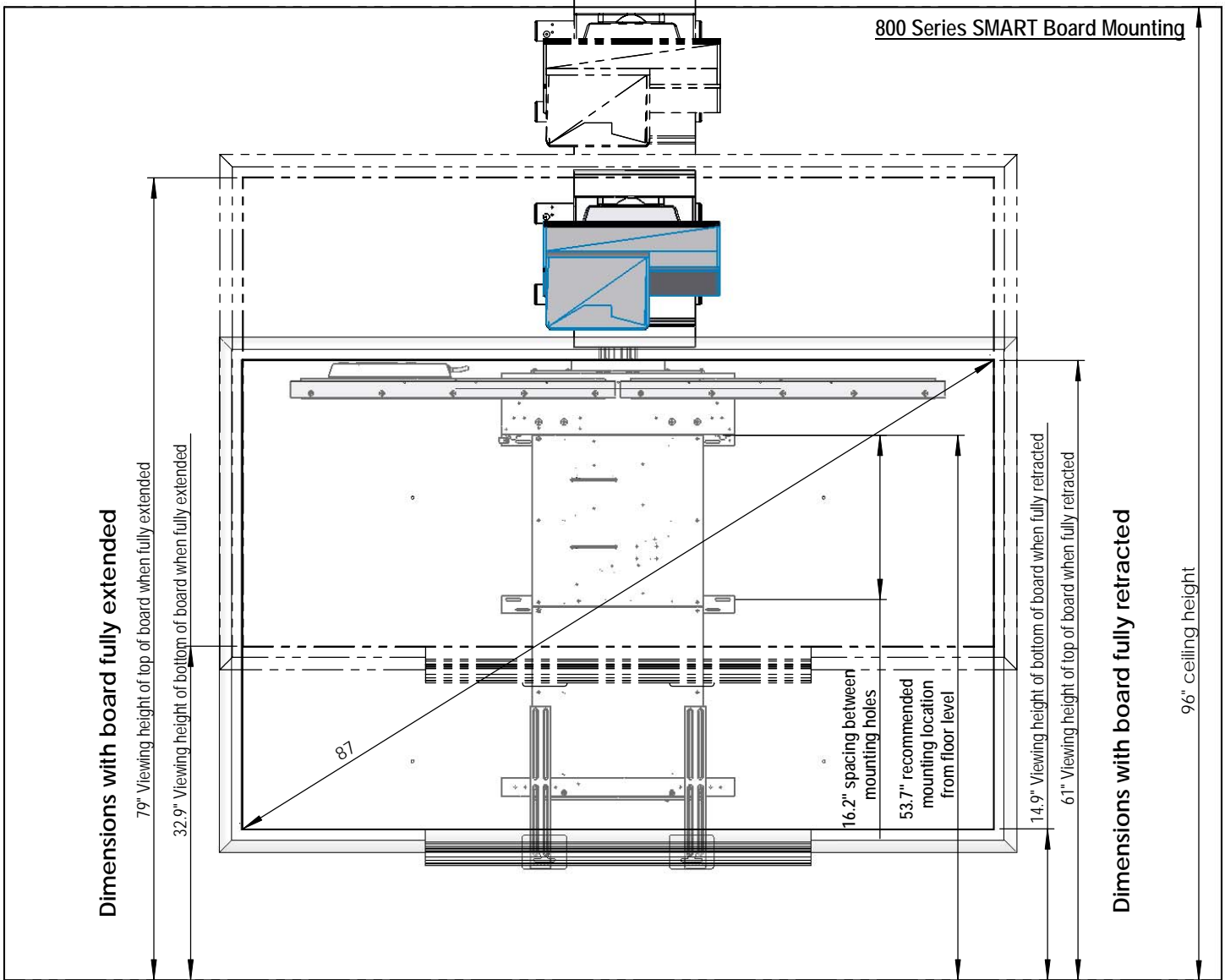
Elevate Your Workspace



WMHS - WB

Please note:
 Mounting heights may vary depending on projector used!
 Projectors and white boards may not be exactly as shown!

Upper height may be programmed on site by installer / user
 6 Outlet power bar may be mounted left or right sided
 Up/Down switch may be mounted left or right sided

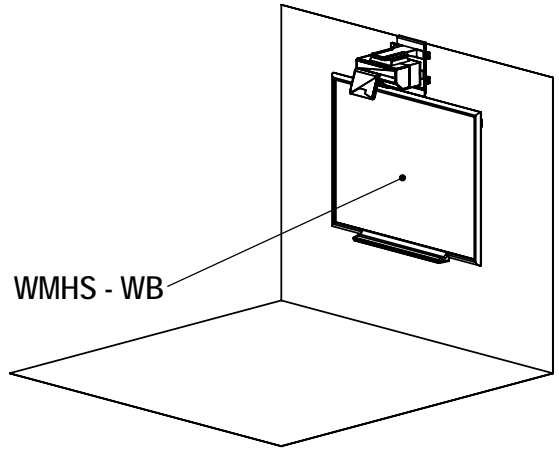


Elevate Your Workspace

www.joromfg.com

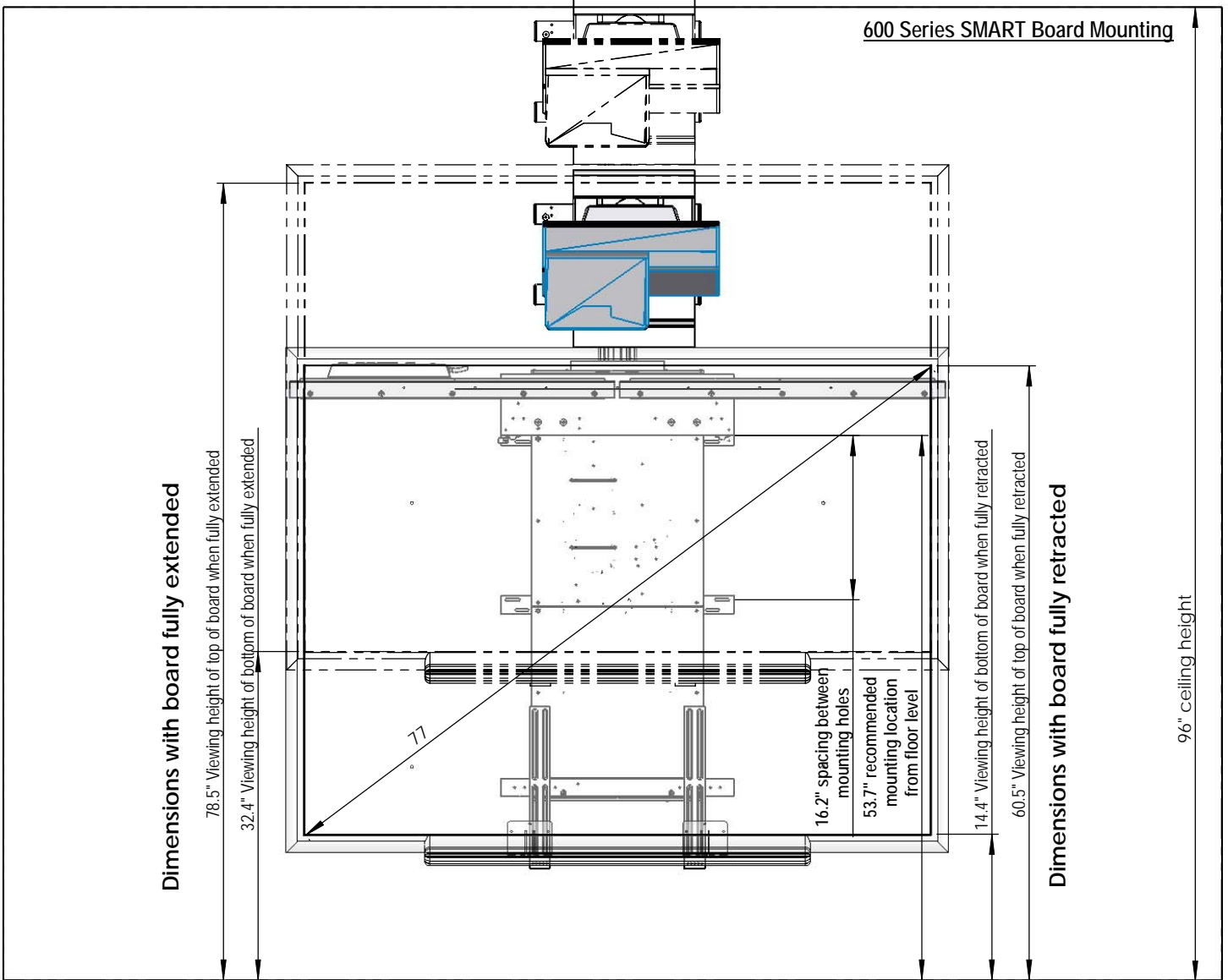
www.proliftstand.com

COPYRIGHT 2014



Please note:
Mounting heights may vary depending on projector used!
Projectors and white boards may not be exactly as shown!

Upper height may be programmed on site by installer / user
6 Outlet power bar may be mounted left or right sided
Up/Down switch may be mounted left or right sided



Elevate Your Workspace

www.joromfg.com

www.proliftstand.com

COPYRIGHT 2014