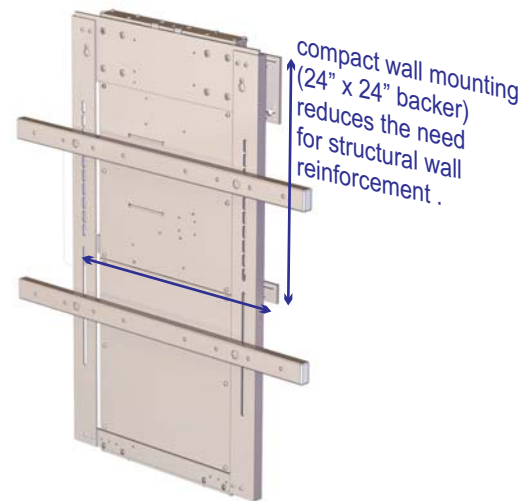


# WMHS-LCD



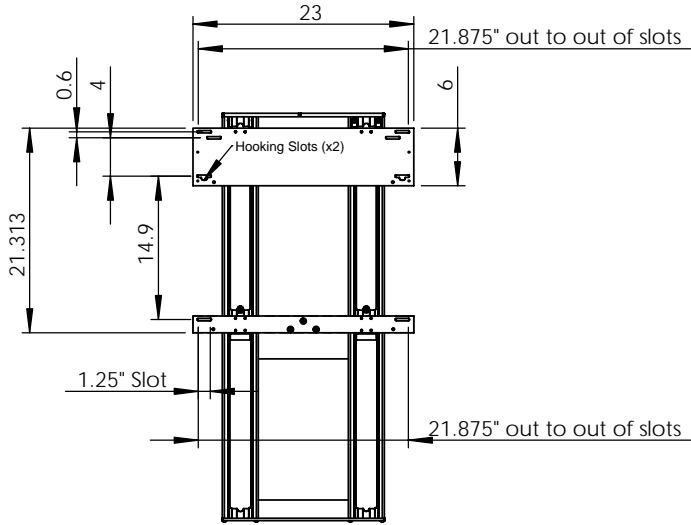
<u>ProLIFT WMHS-LCD Packaging</u>				
	<u>Box weight (lbs)</u>	<u>Box Dimensions (inches)</u>		
		L	W	H
ProLIFT WMHS-LCD	50	48	24	4
<b>WMHS-LCD - Quick facts</b>				
18" Electric height adjustment				
heights do not include projectors / mounts**				
these items may increase the overall height**				
Maximum lift capacity is 180 lbs (includes LED/LCD)				
Up/Down Switch may be mounted left or right sided				
<b>Fits most LCD / LED panels</b>				
up to 180 lbs				
up to 1000 x 600 VESA pattern				
Ships mostly assembled for quick on-site assembly				
Simple change over from LCD to whiteboard/projection system				
just add adapter kit				
<b>Electrical Specifications</b>				
6 outlet power bar - rated at 12 amps max.				
Supply Voltage into lift mechanism is 120V AC / 60 Hz				
Maximum current draw of lift mechanism at full load is 3 amps				
Duty cycle is 10% (2 minutes on - 18 minutes off)				
Standby power < 0.6w				

Wall Mount Hybrid Shuttle - LCD

Designed for new or retrofit applications

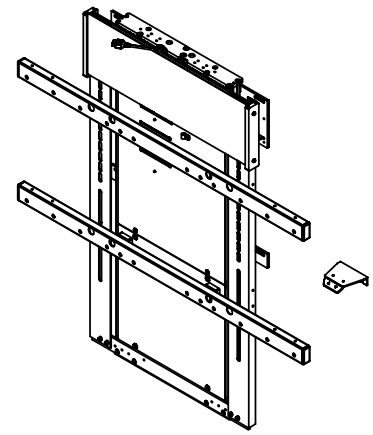


Elevate Your Workspace



BACK ELEVATION (SOME COMPONENTS HAVE BEEN HIDDEN TO FACILITATE VIEWING OF MOUNTING PATTERNS)

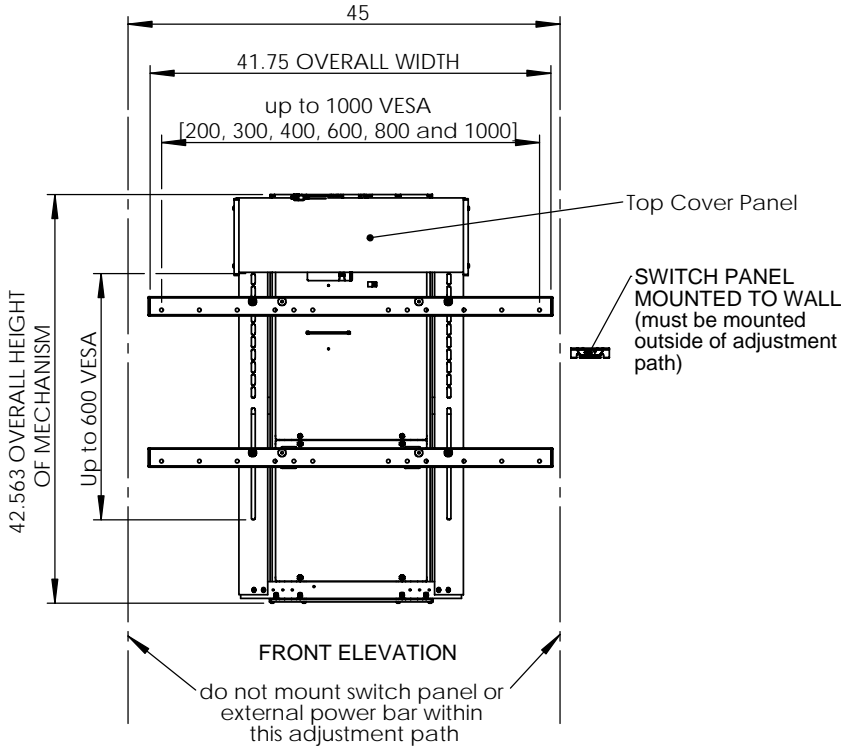
System shown in low position



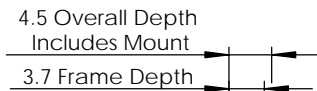
ISOMETRIC

\*\* Minimum recommended backer panel is 24" x 24" x 3/4" thick \*\*

This must be in one piece.



FRONT ELEVATION



SIDE ELEVATION



Elevate Your Workspace