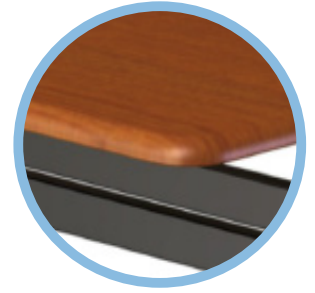




Sleek Profiles/
Smooth Lines



Compact Up/Down
Switch

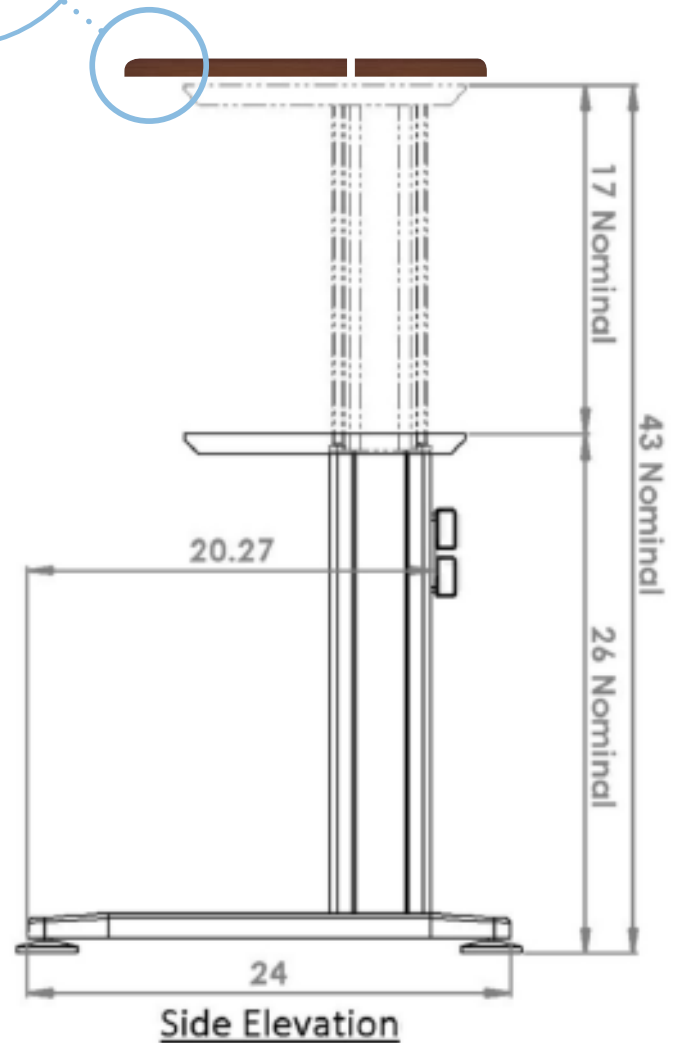
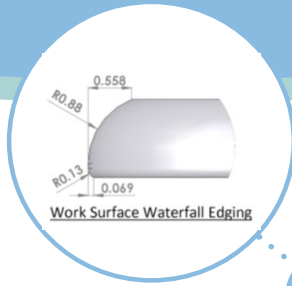


Comfort Work
Surface Edging



Z-SERIES

Electric Adjustability



Frame Powder Coating Colour:

03 - Black Magic (R A L9005)	Default finish
06 - Metallic Silver (RAL9006)	Subject to upcharge
xx - upon request	Subject to upcharge and minimum orders

Switch Type:

A - Compact Up/ Down function	default
B - Ultra-flat, Up to 4 memory positions, digital display	upcharge

Shipping Specifications:

Ships KD in 2 boxes	
Legs package	
- 29" x 25" x 4" (35 lbs)	
- 72.5 cm x 63.5 cm x 10.2cm (16 kgs)	
Modesty Rails Ship Separately	
Work Surfaces Ship Separately	
Requires assembly of legs to modesty rail.	
Requires assembly of frame to worksurface.	
Requires assembly of controller and switch, then wire management.	

Electrical Specifications

Input:	120 Volts / 60 Hz
Max. current draw	5 amps at full load
Standby power:	<0.6W
Duty cycle	2min on/18min off

Surface Foil #:

2017 - Sienna Wild Apple
2010 - Pearwood
2028 - American Natural Maple
4004 - Salt & Pepper
4008 - Concrete Fibers
6005 - Shark Grey
4007 - Cashmere Fibers
2051- Monrovia Mahogany
2064 - Amati Walnut

Due to possible variances in your computer monitor, the colors and patterns displayed may vary slightly from the actual product. Customers should always obtain and compare actual samples before specifying.

Below is a sampling of the standard Surf(x) finishes that we offer. Other colors subject to availability and quantity. Please consult your factory representative prior to quoting your jobs.



Pearwood



Sienna Wild
Apple



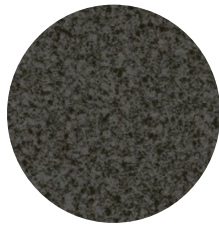
American
Natural Maple



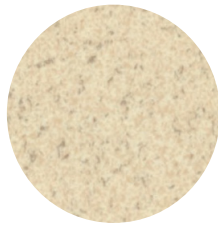
Monrovia
Mahogany



Amati
Walnut



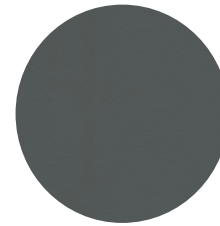
Salt &
Pepper



Cashmere
Fibers



Concrete
Fibers



Shark Grey

Surface materials

- 1" MDF core with Melamine finish underside and Surf(x) thermo-foil surface finish for enhanced surface durability.

Maximum Continuous Surface dimensions

- Depth
- 48" deep [1200mm]
- Width
- 96" wide [2400mm]

Surface features

- Dimensional flexibility. Easily conforms to three dimensional surfaces to provide an attractive, seamless appearance.
- Rounded corners for enhanced user safety.
- Radiused edging for increased user comfort.
- Easy clean-up, usually damp cloth with just soap and water.